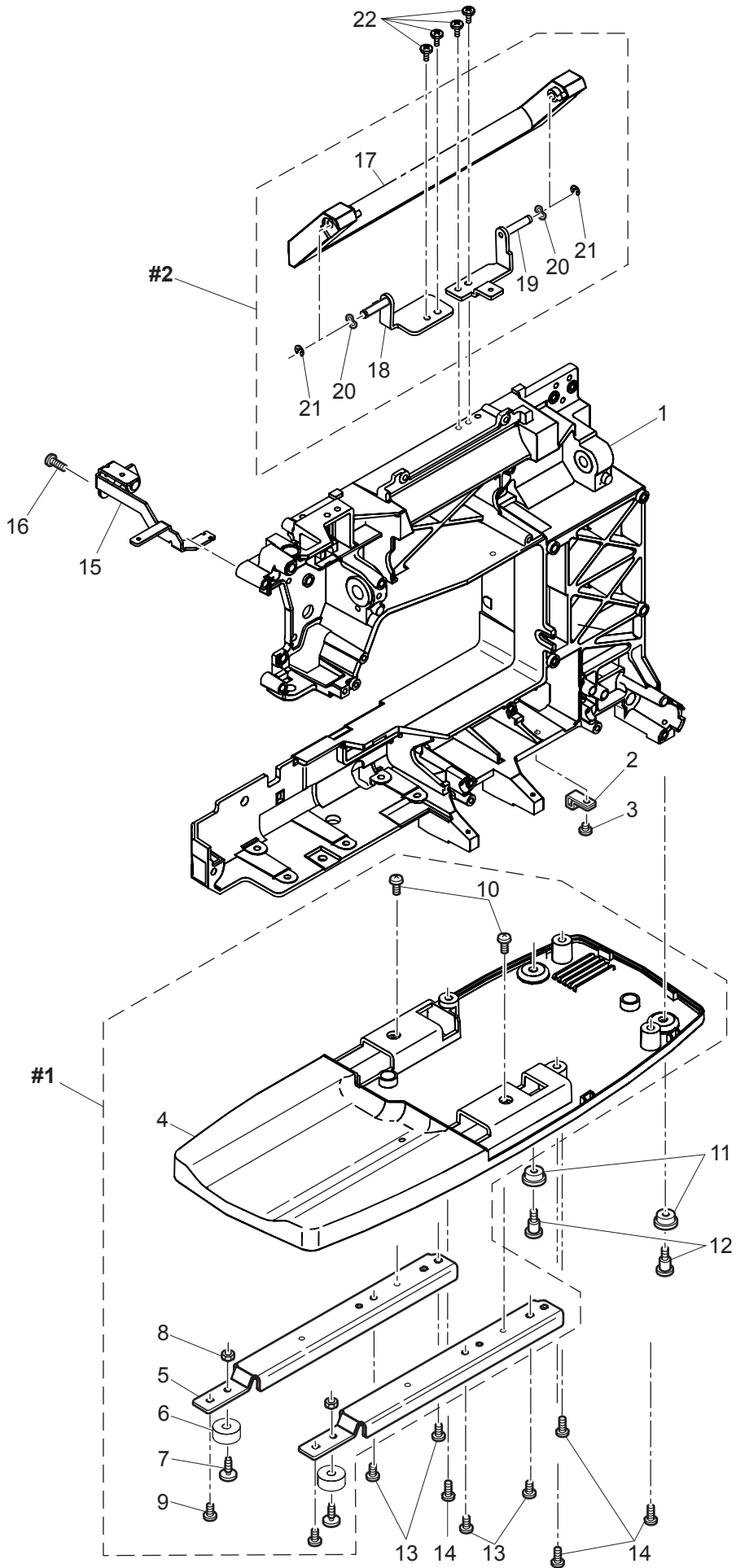


## Parts List

# Designer Jade 35

A



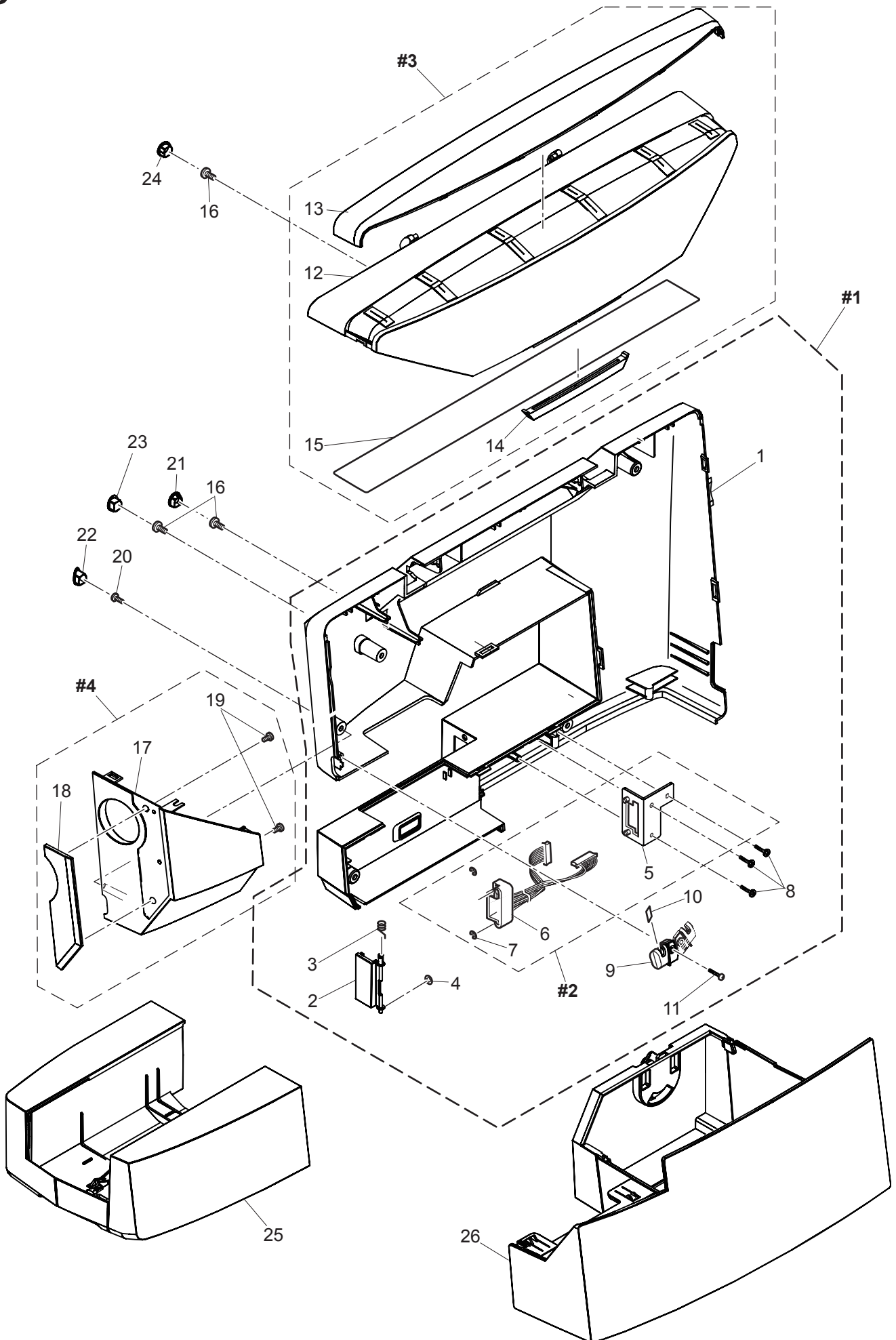
---

No.	Part No.	Description
-----	----------	-------------

A

#1	68002914	Base Assy.
#2	68002915	Handle Assy.

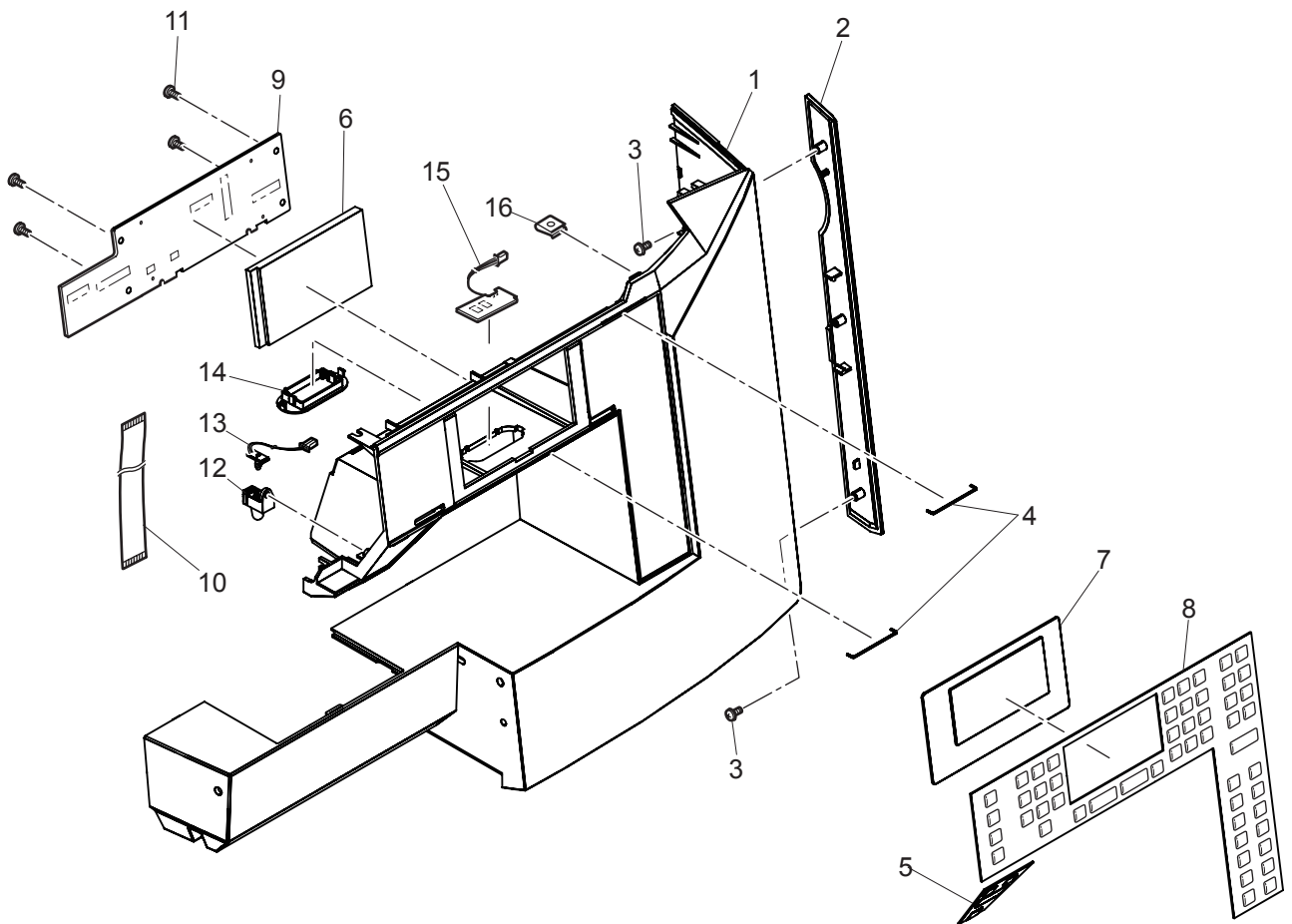
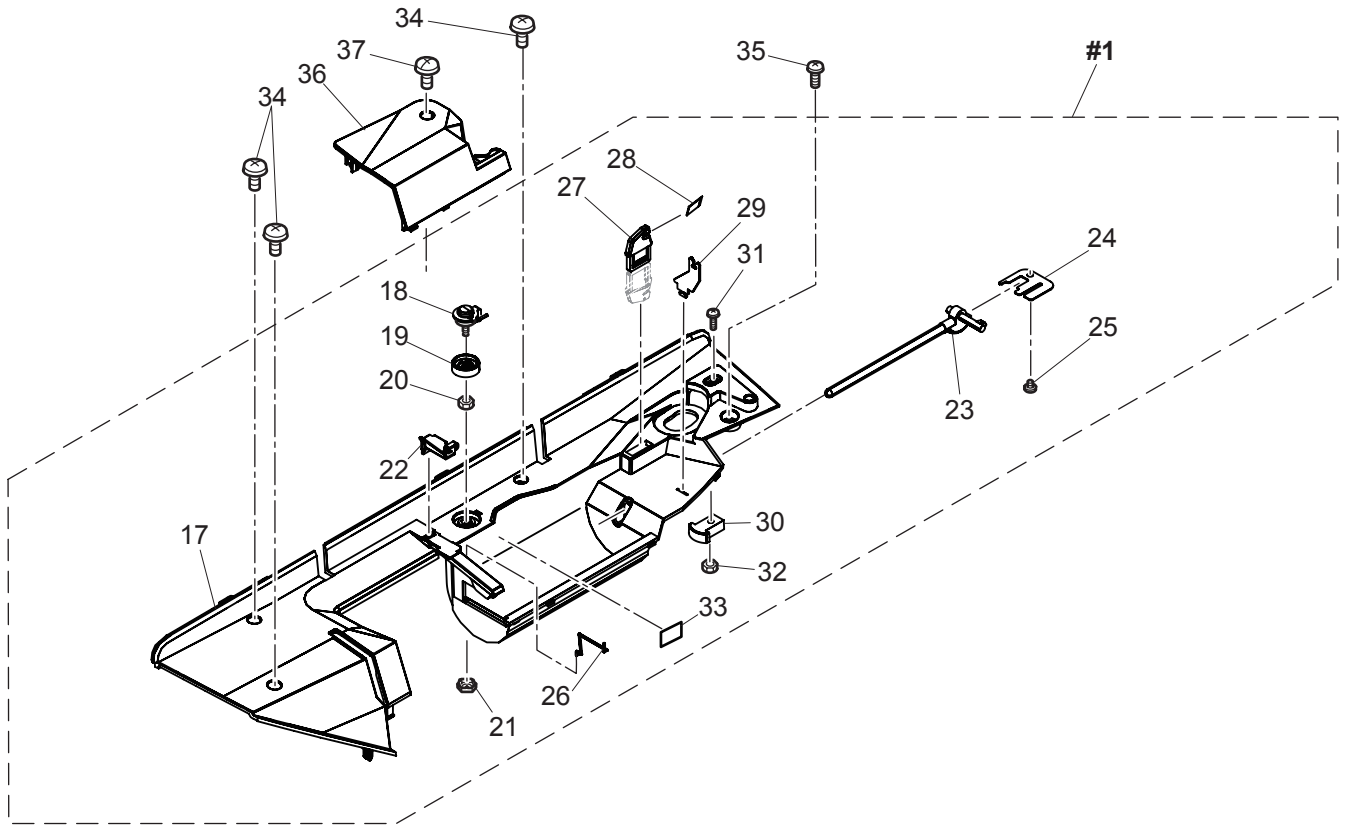
# B



---

<u>No.</u>	<u>Part No.</u>	<u>Description</u>
#1	68002931	Rear Cover Assy.
#2	68001240	Embroidery Unit Connector Bracket Unit
#3	68002932	Flap Assy.
#4	68002933	Face Plate Assy.
2	68002934	Embroidery Unit Connect Lid
3	68001239	Connect Lid Spring
9	68002935	Thread Cutter Cover
10	412423701	Thread Cutter
21	68002936	Screw Cap A
22	68002937	Screw Cap B
23	68002938	Screw Cap C
24	68002940	Screw Cap D
25	68002942	Extension Table Assy.
26	68002943	Storage Box Assy.

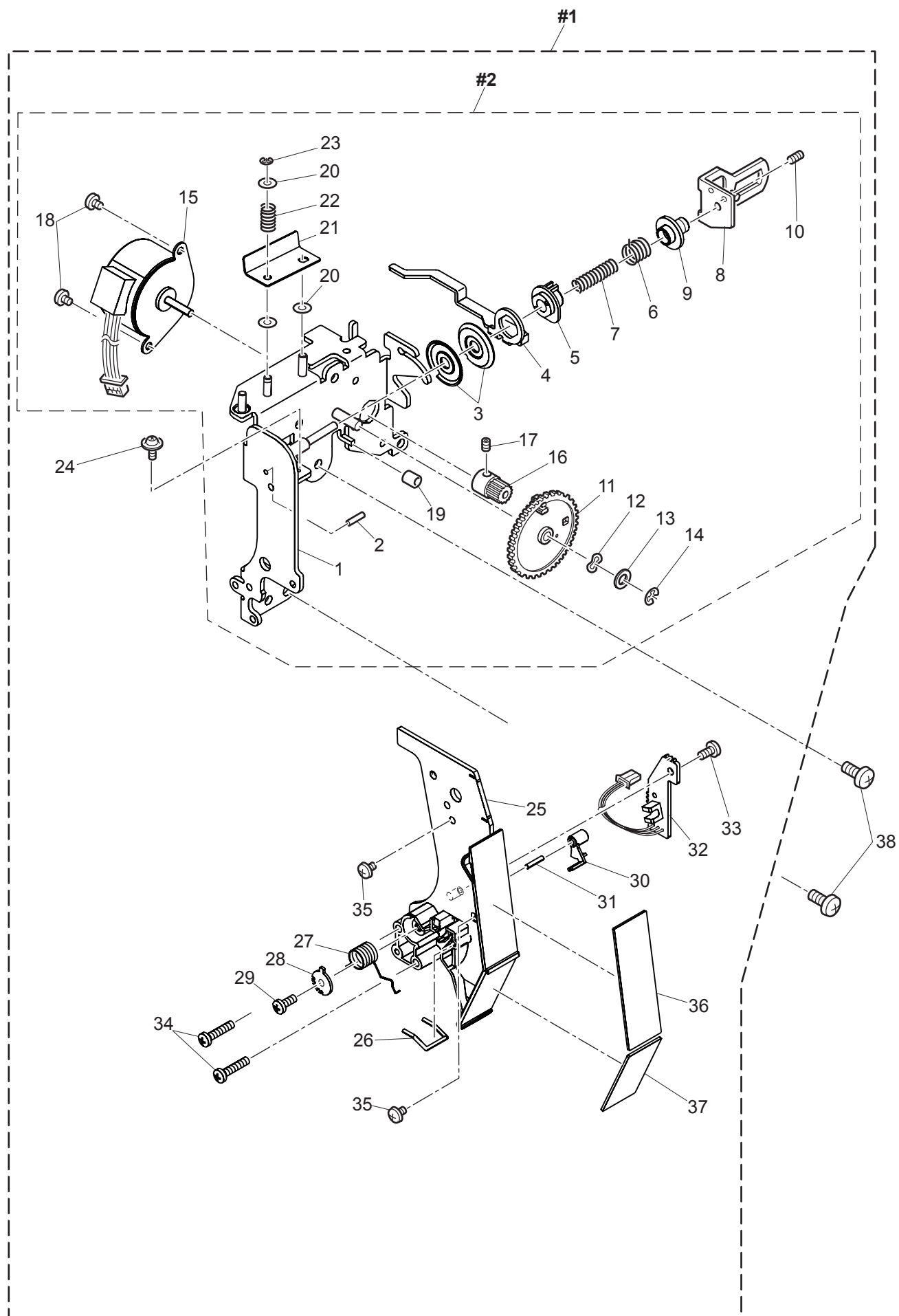
C



---

No.	Part No.	Description
#1	68002944	Unit Cover Assy.
4	68002945	Needle Bar Bobbin Winder Thread Guide Wire
5	68002946	Membrane Switch (Main)
6	68001572	L.C.D
7	68002947	L.C.D Cover
8	68002948	Membrane Switch (L.C.D)
9	68002949	Function Circuit Board Assy.
10	68001574	Flat Cable
13	68001576	LED Board Assy.(A)
14	68001577	LED Light Cover (B)
15	68001578	LED Board Assy.(B)
22	68002950	Thread Guide
23	68001545	Spool Pin
28	412423701	Thread Cutter
36	68002951	Thread Tension Cover

# D

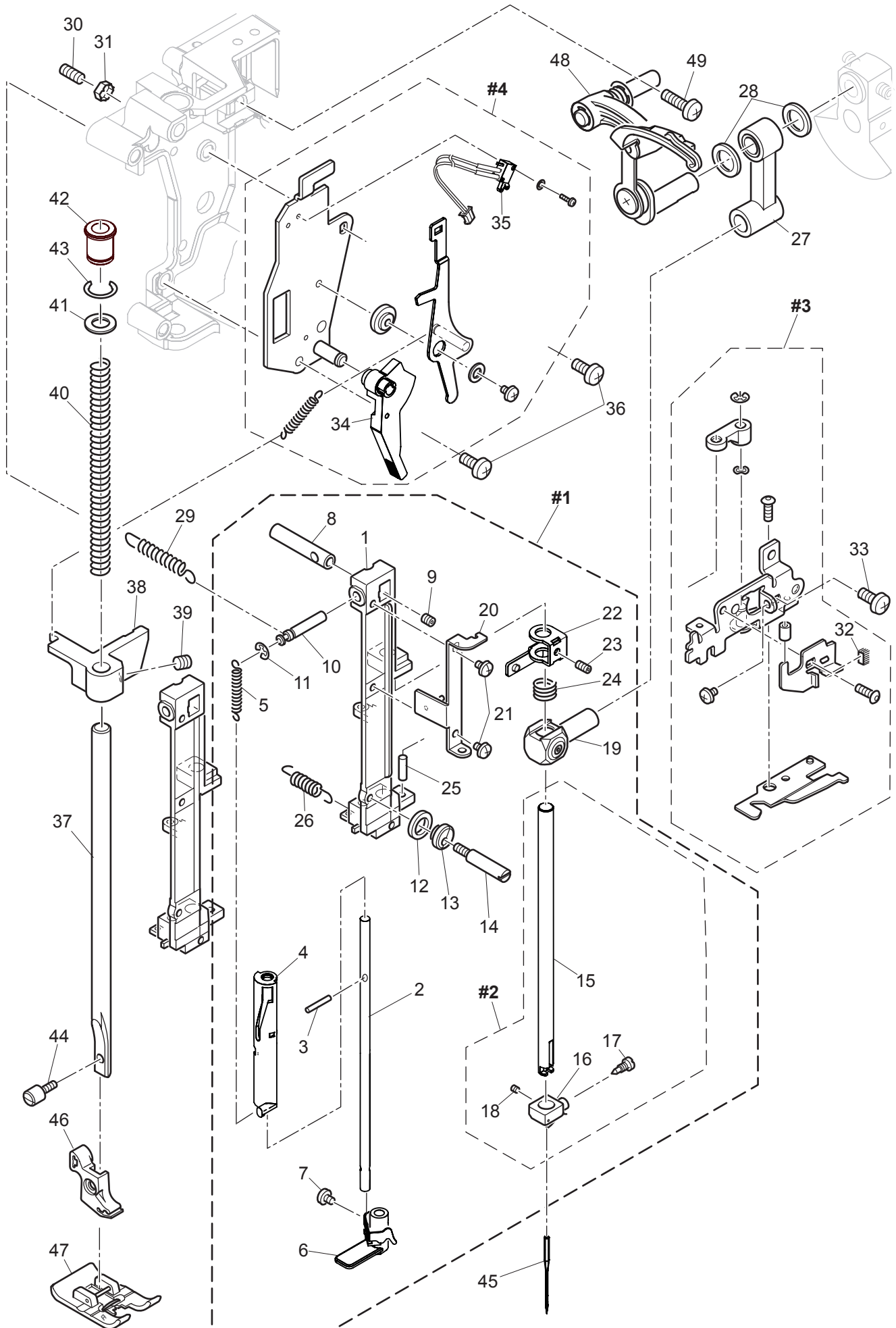




---

No.	Part No.	Description
#1	68002952	Thread Tension Regulator Unit
3	68001586	Thread Tension Disc
15	416395901	Tension Release Pulse Motor
27	416396101	Thread Check Spring
32	68001656	Thread Sensor Board Assy.

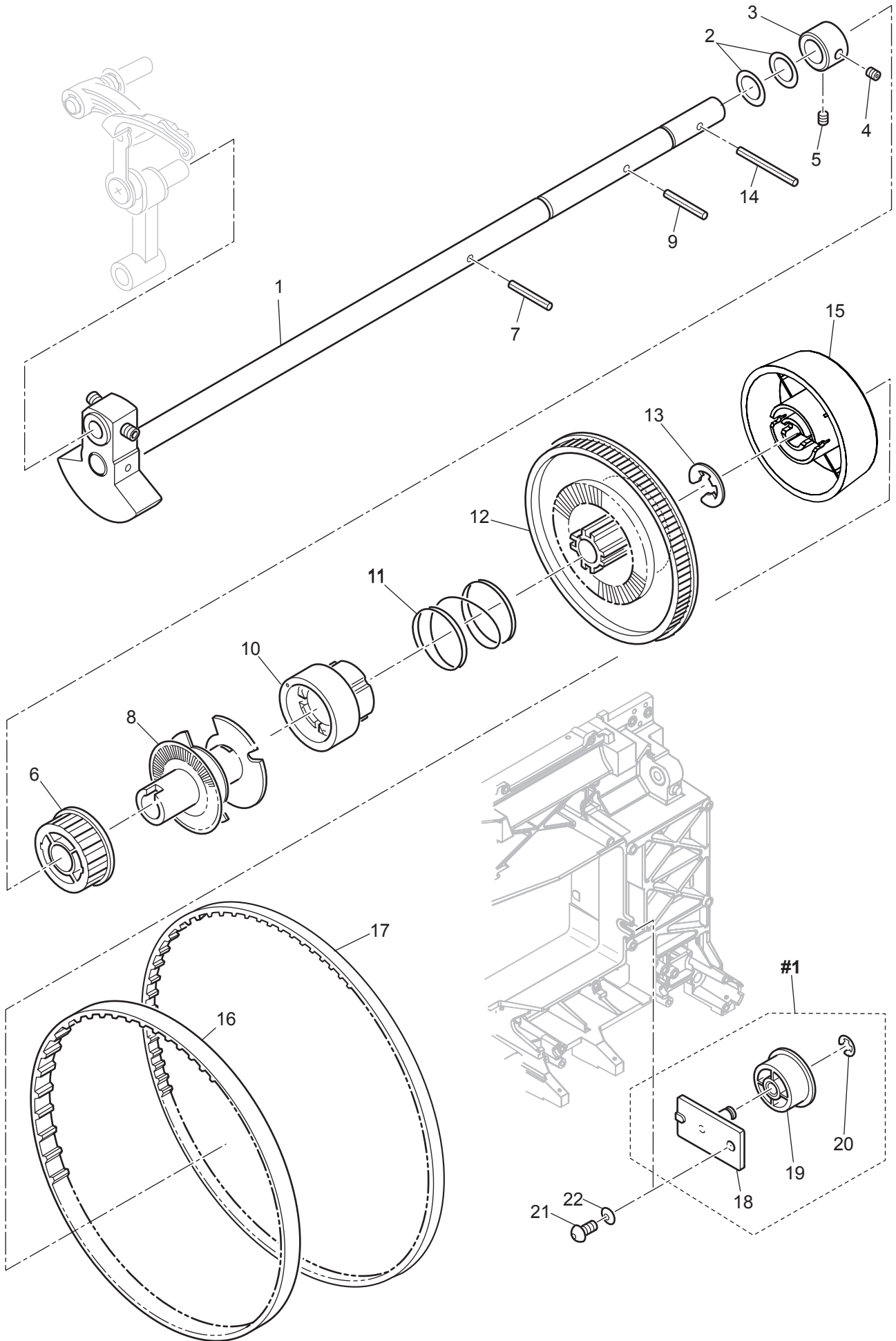
# E



---

No.	Part No.	Description
#1	68002862	Needle Bar Guide Assy.
#2	68002675	Needle Bar Assy.
#3	68002953	Z Link Bracket Unit
#4	68002778	Presser Foot Lifter Bracket Unit
6	68001677	Threader Hook Assy.
16	68002629	Needle Clamp Assy.
17	68002636	Needle Clamp Screw
27	68001706	Needle Bar Clank Rod Assy.
34	68001725	Presser Foot Lifter
35	68001730	Presser Foot Switch Assy.
37	68001733	Presser Bar
38	68002688	Presser Bar Guide Bracket
42	68001737	Presser Bar Bush
44	68002497	Presser Foot Screw
46	68002954	Presser Foot Holder
47	412764001	Standard Foot A
48	68001743	Thread Take-Up Lever Assy.

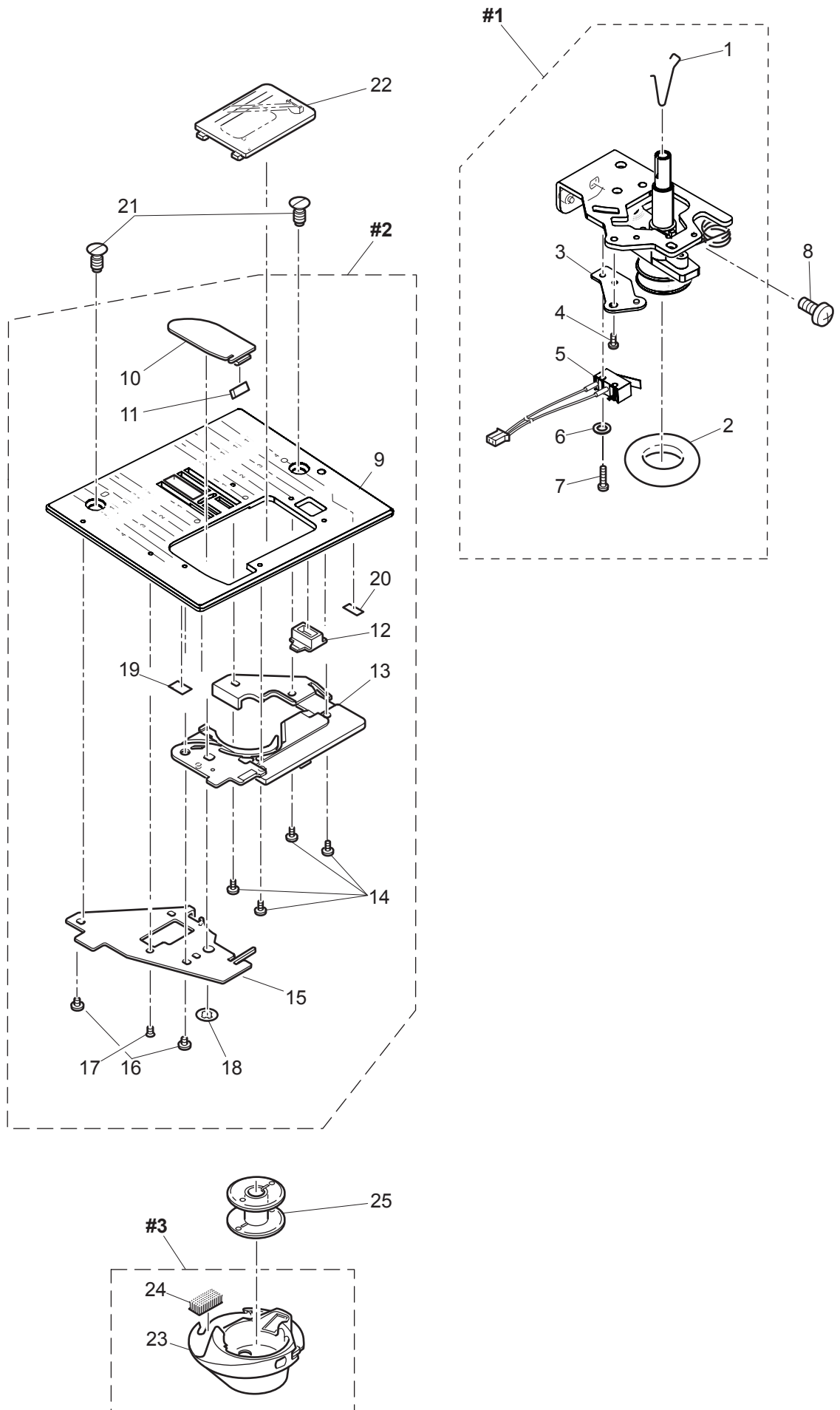
# F



---

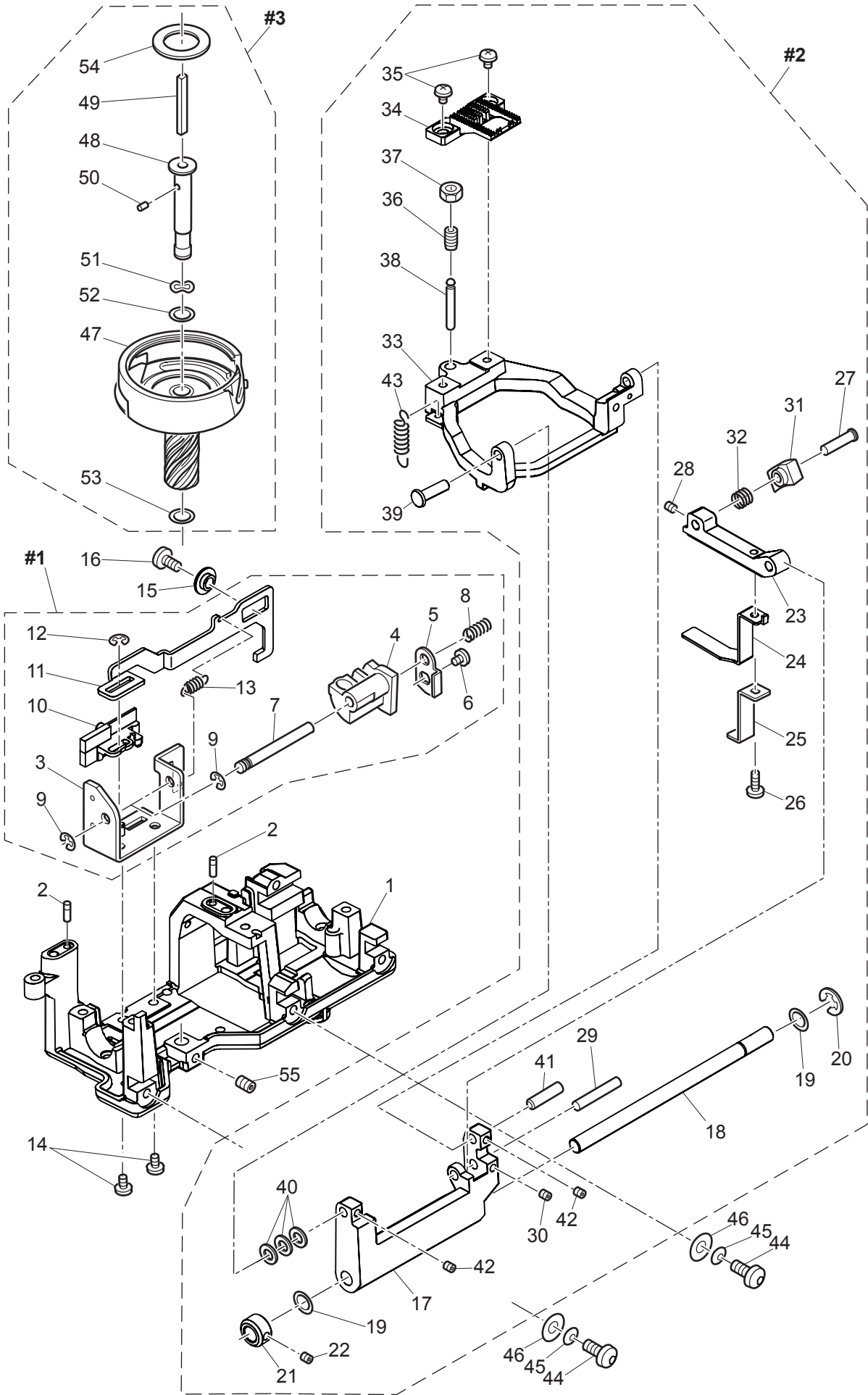
No.	Part No.	Description
#1	68001341	Belt Tension Assy.
1	68002605	Upper Shaft Assy.
6	68001199	Upper Shaft Timing Pulley
7	416400401	Spring Pin
8	68001234	STS Slit
9	68001326	Spring Pin
10	68001328	Clutch Change Collar
11	68001331	Clutch Change Spring
12	68001333	Belt Wheel
14	416400501	Spring Pin
15	68002956	Hand Wheel
16	416400301	Timing Belt (Upper Shaft)
17	68001340	Timing Belt (Motor)

# G



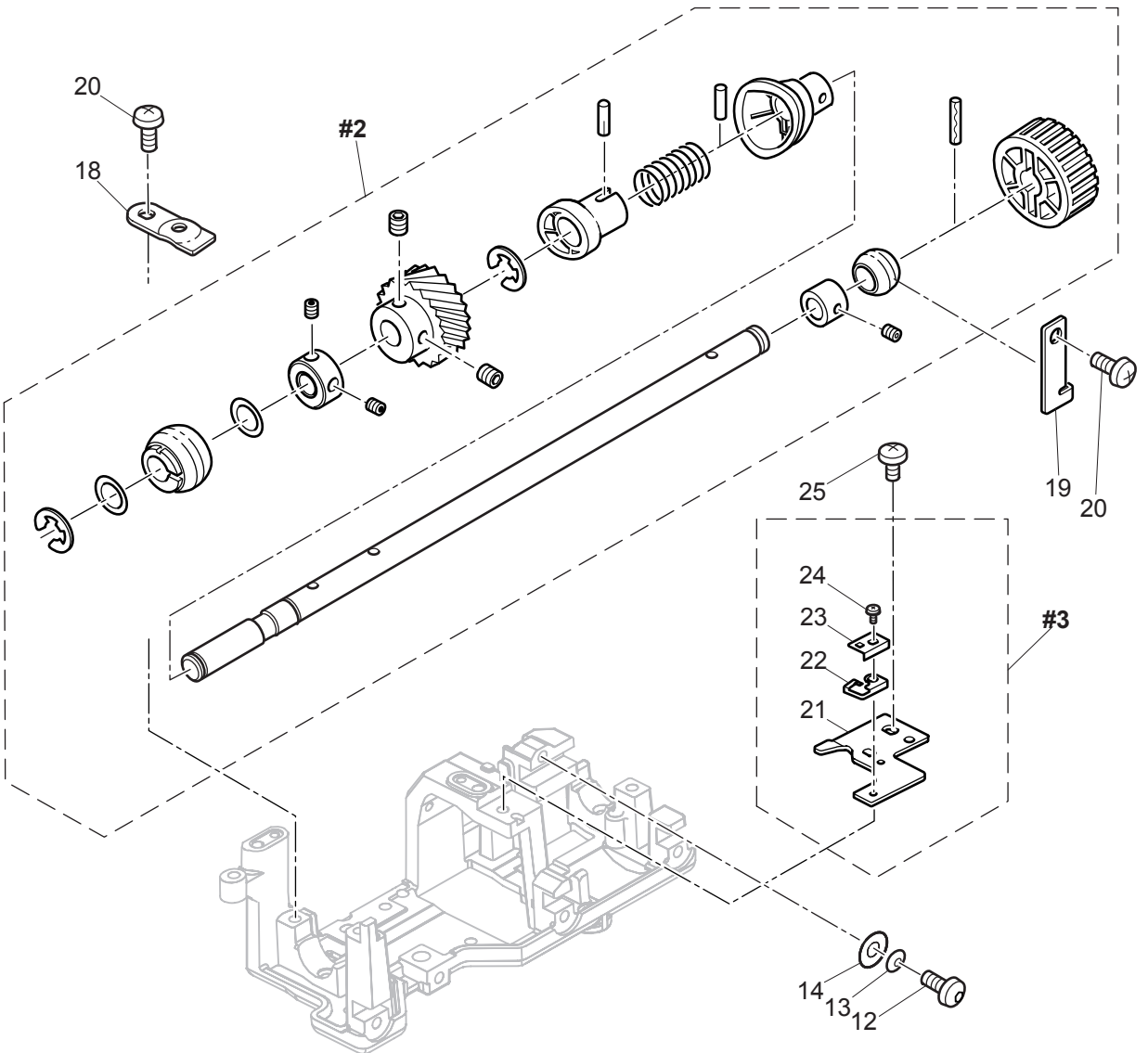
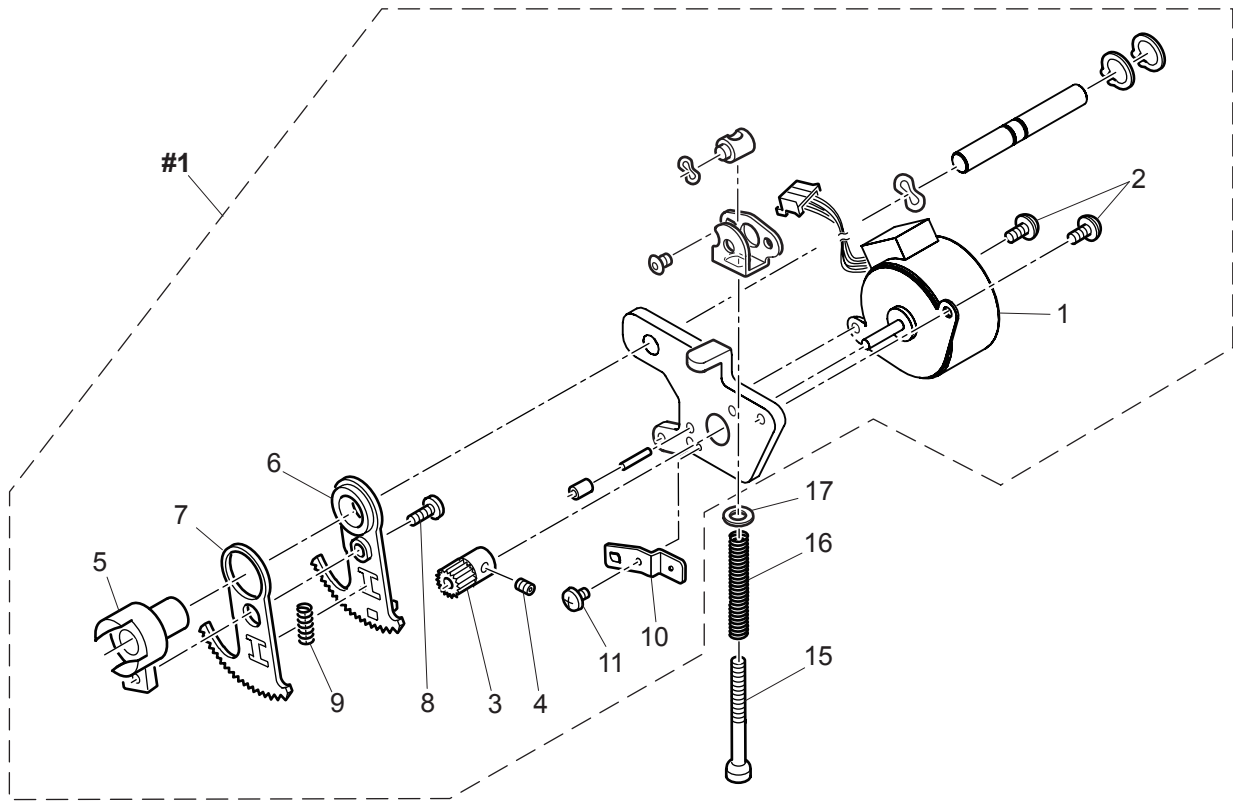
<u>No.</u>	<u>Part No.</u>	<u>Description</u>
#1	68001347	Bobbin Winder Assy.
#2	68002957	Needle Plate Assy.
#3	68002958	Bobbin Holder Unit
2	68001351	Rubber Ring
5	68001355	Bobbin Winder Switch Assy.
11	412423701	Thread Cutter
22	68001385	Bobbin Cover Plate
25	68001389	Bobbin

# H





No.	Part No.	Description
#1	68001452	Feed Rocking Assy.
#2	68002959	Feed Assy.
#3	68001467	Hook Race Unit



---

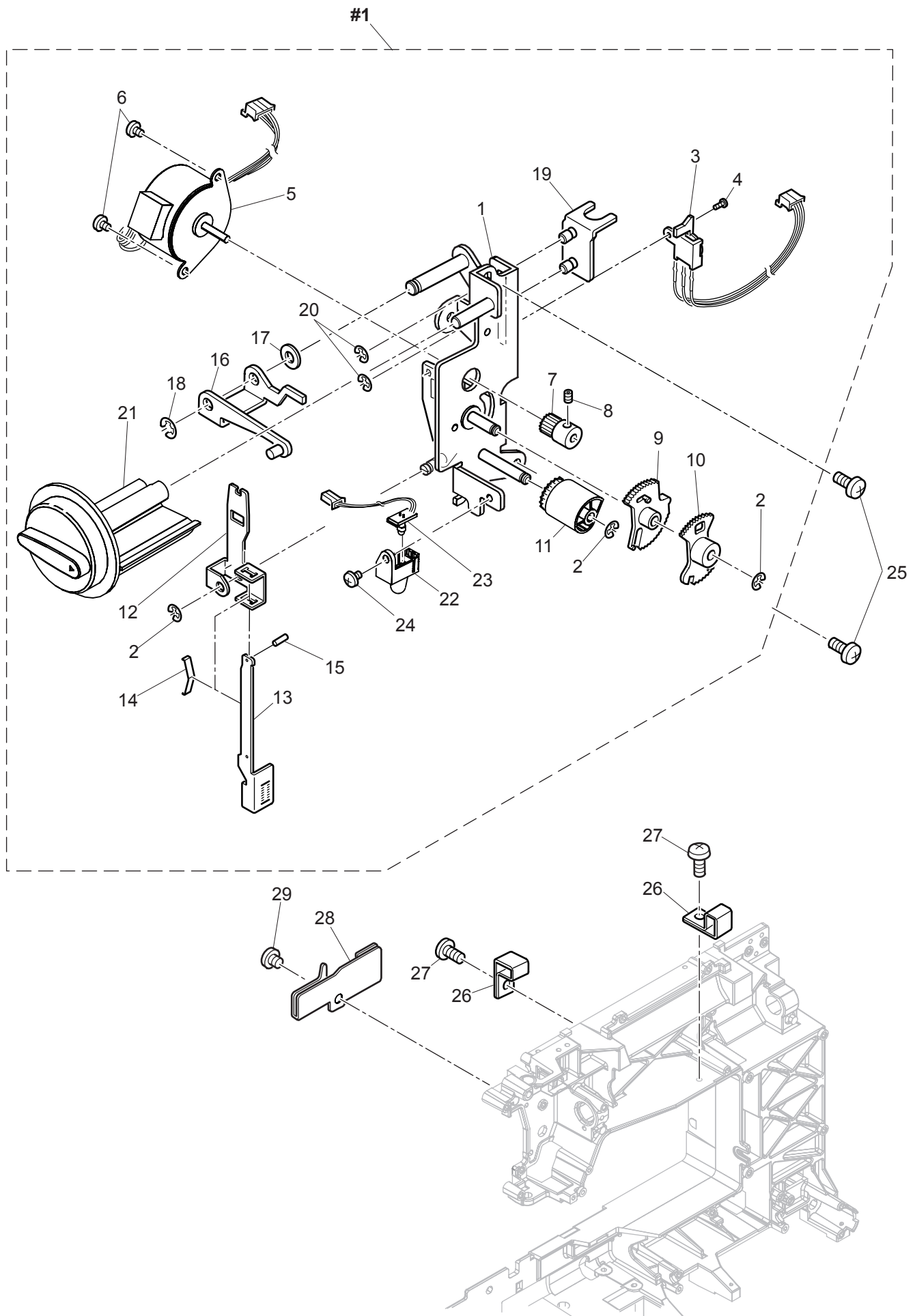
<u>No.</u>	<u>Part No.</u>	<u>Description</u>
#1	68001499	F Pulse Motor Assy.
#2	68001527	Lower Shaft Assy.
#3	68001659	Bobbin Holder Stopper Assy.



---

No.	Part No.	Description
#1	68002960	Thread Cutter Assy.
6.	412423701	Thread Cutter
7.	68005912	Thread Divider
8.	68001383	Thread Catcher Holding Plate
10.	68005911	Thread Catcher A
11.	68005910	Thread Catcher B Assy.
20	68001411	Thread Cutter Switch Assy.

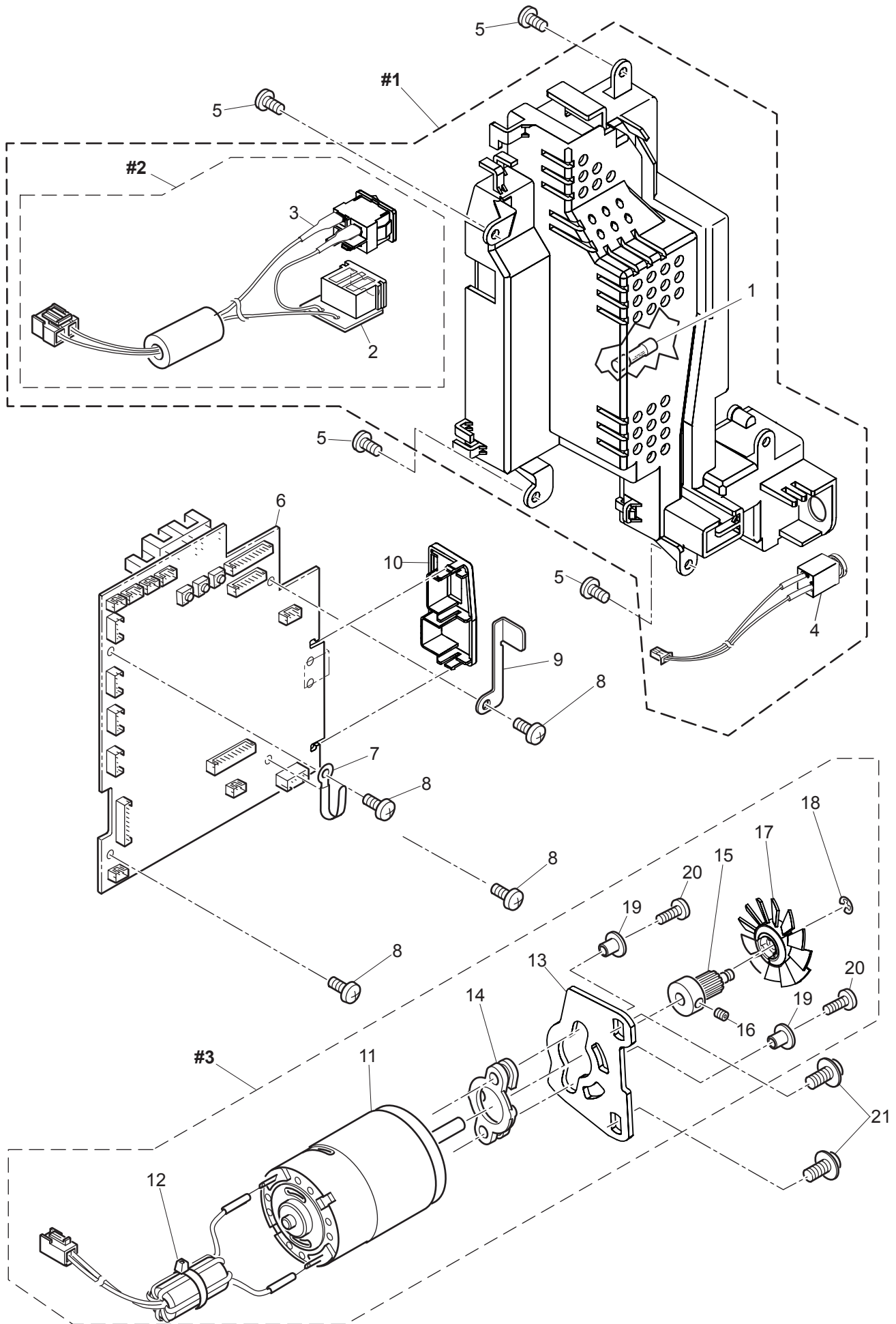
# K



---

No.	Part No.	Description
#1	68002961	Z Pulse Motor Assy.
3	68001750	BH Switch Assy.
23	68001764	LED Board Assy(C)

L



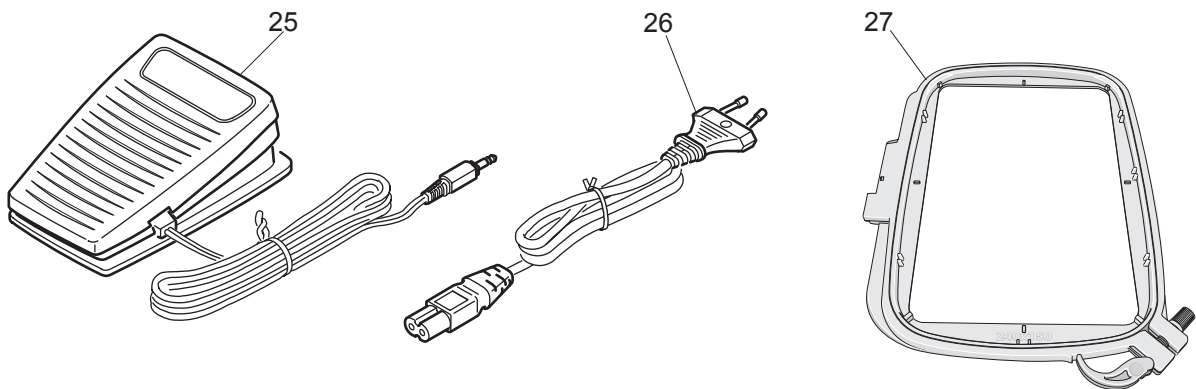
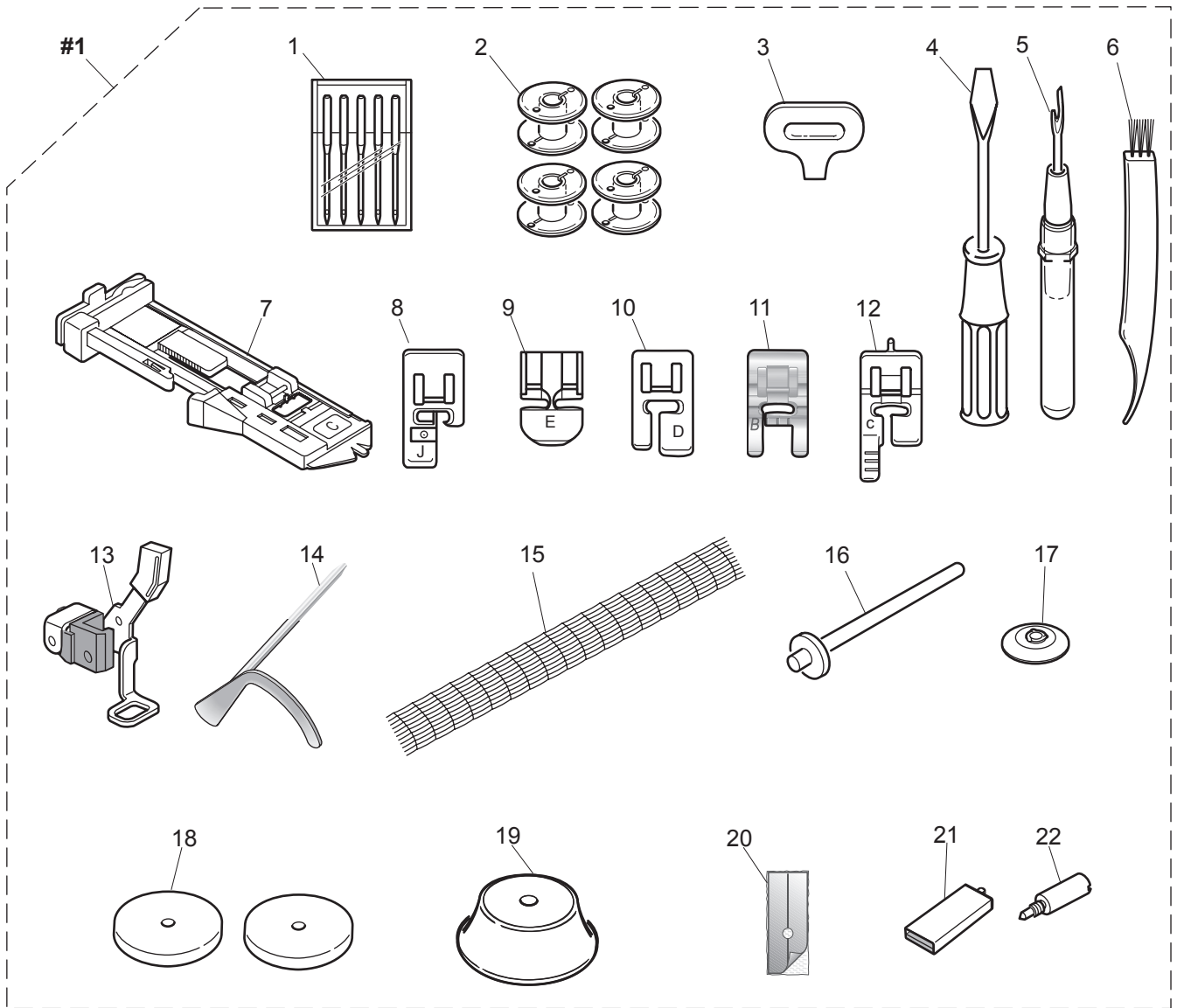


---

No.	Part No.	Description
#1	68001766	Power Circuit Assy.
#2	68001768	Power Socket Assy.
#3	68001785	Motor Assy.
1	68001767	Fuse
4	68001772	Controller Jack Assy.
6	68002962	CPU Board Assy.
10	68001779	USB Connector Cover

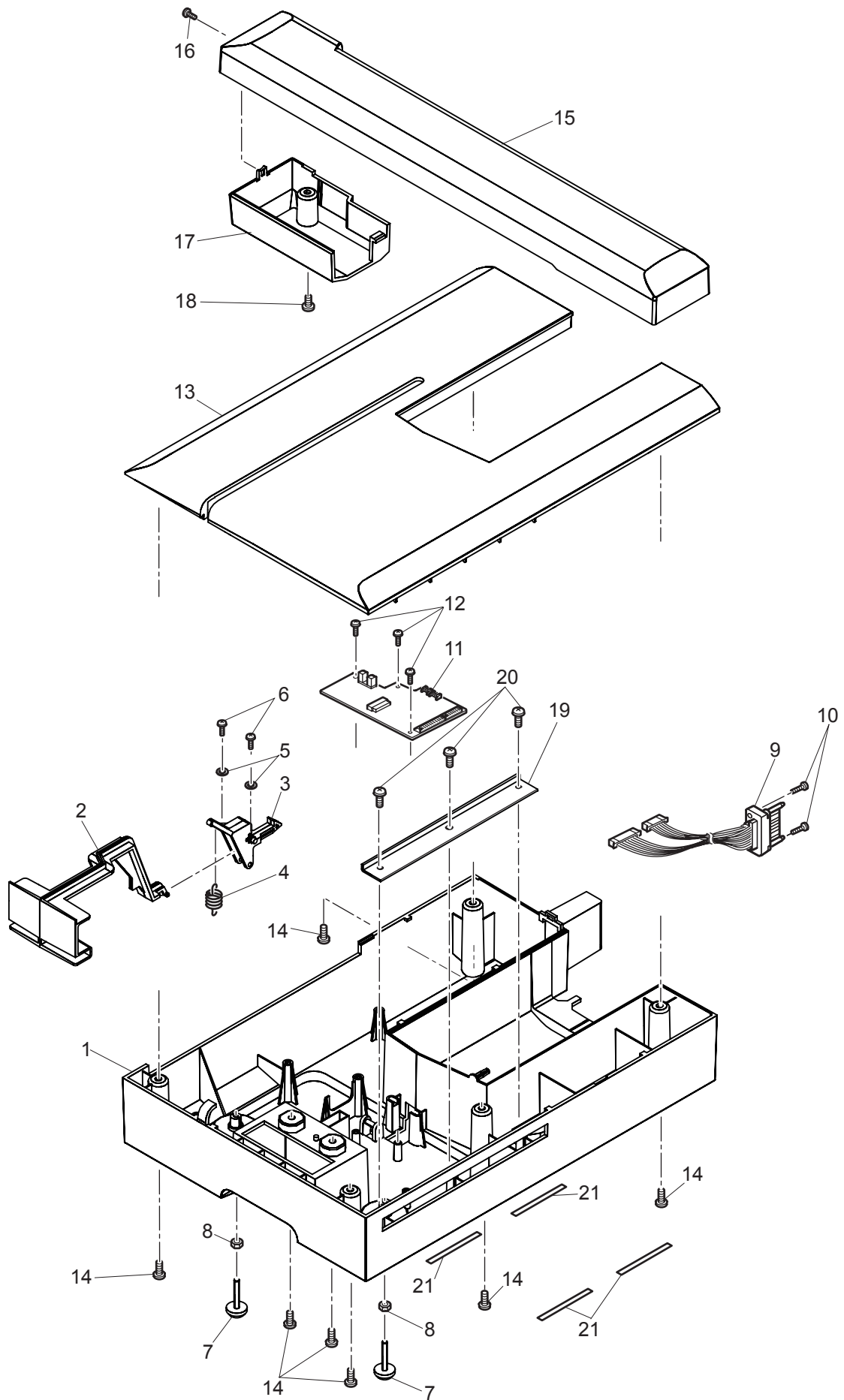
L

# M



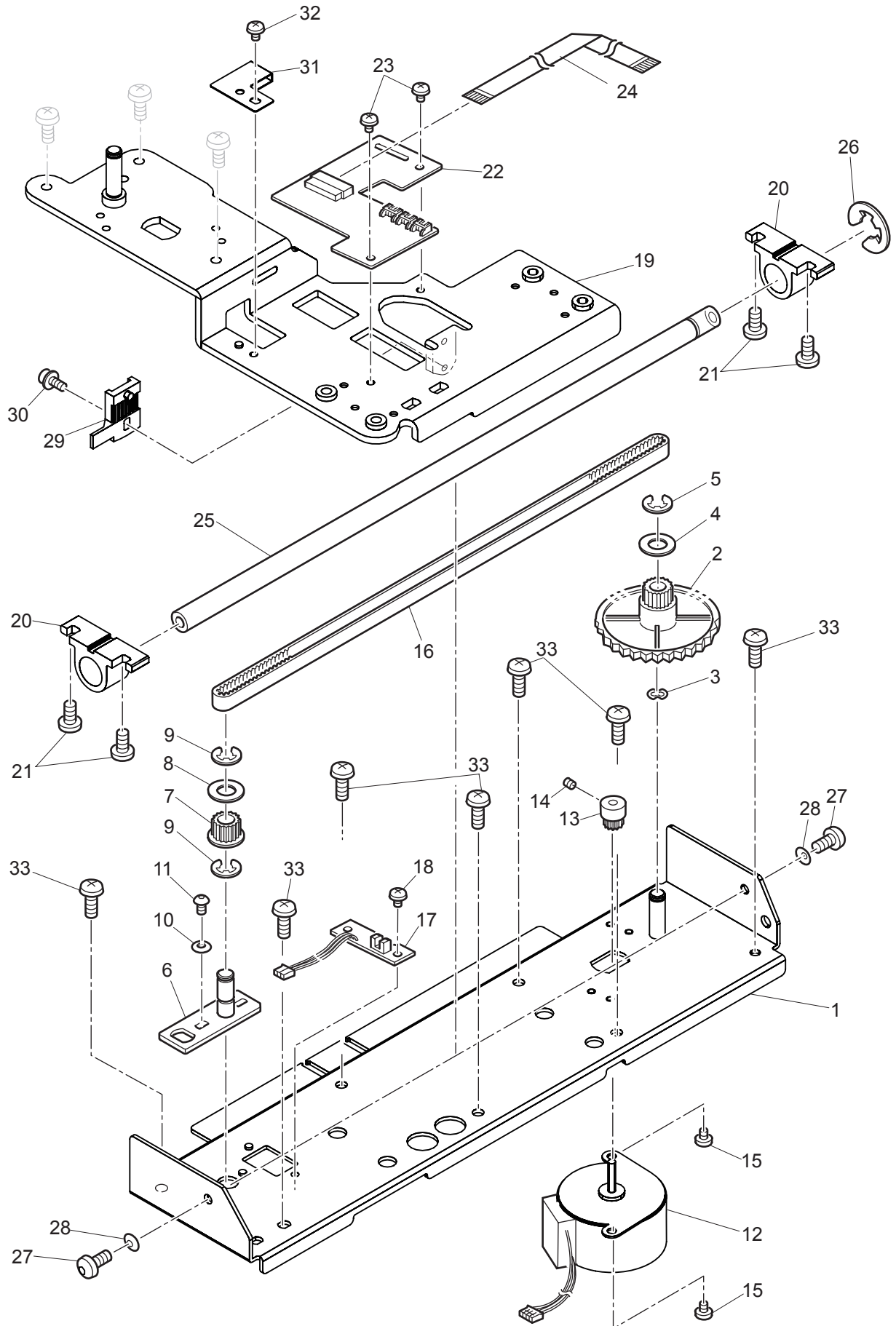
---

<u>No.</u>	<u>Part No.</u>	<u>Description</u>
#1	68003089	Accessory Kit
1	620098796	Needle Set
2	68001389	Bobbin
3	68001808	Screw Driver for Needle Plate
4	68001823	Screw Driver (Large)
5	68001822	Stitch Ripper
6	68001824	Brush
7	68003090	One Step Buttonhole Foot Unit
8	412380645	Overcasting Foot J
9	412801501	Zipper Foot E
10	412380445	Blind Stitch Foot
11	413113646	Satin Stitch Foot B
12	412785346	Manual Buttonhole Foot
13	68003091	Embroidery Foot
14	68003092	Edge Guide
15	68001826	Spool Net
16	68001820	Spool Stand
17	68001821	Small Thread Cap
18	412610701	Felt Washer
19	68001559	Thread Cap
20	412827401	Glide Sole
21	68003093	USB Memory Stick
22	68002630	Needle Clamp Screw (Long)
25	68002966	Foot Controller
26	412157903	Power Cord 120V
26	412157801	Power Cord 220V (EU)
26	412158002	Power Cord (GB)
27	68003094	Hoop 240*150 (Assy.)



---

<u>No.</u>	<u>Part No.</u>	<u>Description</u>
1	68002967	X Base Cover
2	68001837	Release Lever
3	68001839	Release Lever Hook
4	68001840	Release Lever Spring
7	68001842	Rubber Foot Adjuster
8	416786801	Nut
9	68001843	Embroidery Unit Connect Assy.
11	68001845	Board (2) Assy.
13	68002968	X Top Cover w/cloth
15	68002969	Y Carriage Cover A
17	68002970	Y Carriage Cover B
19	68001853	Y Carriage Guide Plate



---

No.	Part No.	Description
1	68001854	X Carriage Base Assy.
2	68001855	Drive Pulley
6	68001858	Tension Pulley Bracket Assy.
7	68001859	Tension Pulley
12	68001863	X Pulse Motor
13	68001864	Pulse Motor Gear
16	68001865	X Timing Belt
17	68001866	X Sensor Board Assy.
19	68001868	X Carrier Assy.
20	68001869	X Guide Shaft Follower
22	68001870	Board (1) Assy.
24	68001871	Flexible Flat Cable
25	68001872	X Guide Shaft
29	68001875	X Belt Holder
31	68001878	X Harness Holder





---

No.	Part No.	Description
#1	413026701	Y Carrier Assy.
1	68001221	Y Carriage Base Assy.
3	416786801	Nut
4	68001855	Drive Pulley
8	68001309	Hoop Sensor Board Assy.
9	68001427	Y Sensor Board Assy.
11	68001428	Y Pulse Motor
12	68001431	Pulse Motor Gear
27	68001788	Y Belt Holder
28	68001791	Y Carrier Shield Plate
30	68001792	Y Guide Shaft
34	68001794	Y Tension Pulley Bracket Assy.
35	68001859	Tension Pulley
41	68001797	Y Timing Belt
42	68001798	Y Carriage Guide
43	68001799	Y Carrier Guide